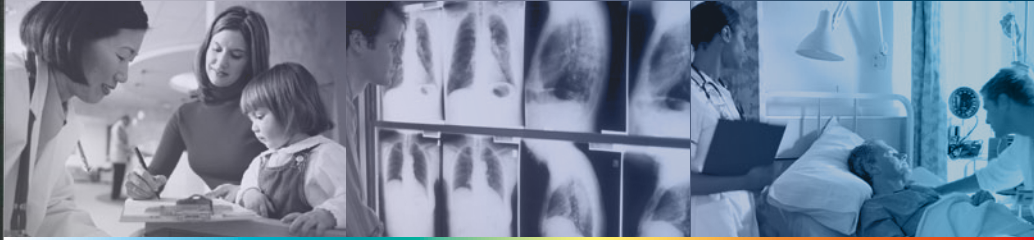


# MMD-3213C

21.3", 3MP diagnostic color display

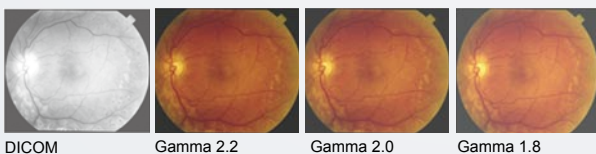
**3MP**  
**30-bit**



- 21.3" color TFT LCD
- 3MP-2048(H) x 1536(V)
- Max. luminance: 235cd/m<sup>2</sup>  
Max. calibrated luminance: 180cd/m<sup>2</sup>
- 600:1 exceptional contrast ratio
- Selectable Gamma 1.8,2.0,2.2 calibration
- Intelligent display mode auto adjustment with graphic card auto detection
- Ready for Deep color and HDMI™ 1.3 with GrayEasy® technology and 30-bit color dithering
- Intelligent color-to-gray conversion for grayscale applications

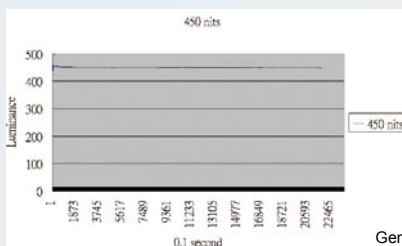
### User Selectable Gamma Settings

IEI's color medical display can be adjusted with Gamma 1.8,2.0,2.2, DICOM and user settings for different brightness conditions to achieve the optimal display quality for images from different modalities.

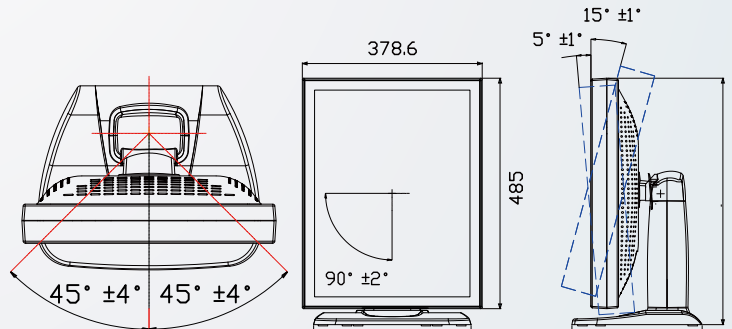


### Backlight Stabilizer

The GeniGUARD® built-in backlight stabilizer integrated in PACSmate™ monitors automatically calibrates the shift of LCD brightness caused by startup drift, ambient temperature and backlight aging.



GeniGUARD® Backlight Stabilizer

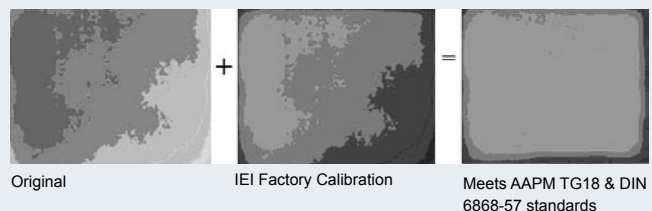


### GrayEasy® 30-bit Deep Color

30-bit color image (10-bit for each RGB element) can be displayed on PACSmate™ monitors without any image loss. Through IEI's unique GrayEasy® technology, there's no need to replace the monitors for future HDMI™ 1.3 supported deep color display capabilities.

### Uniform Luminance

Uniform luminance is especially critical for diagnostic applications and IEI sets a high standard for the uniformity of every medical monitor. IEI's special testing equipment ensures every customer gets the medical monitors with best uniformity for precise diagnostic results.



## Color to Grayscale Conversion

The built-in color-to-grayscale converter reproduces color images as grayscale images, representing more shades of grayscale display images.

## Smart Software OSD

The smartOSD is an intelligent and easy to use proprietary On-Screen Display (OSD) software especially designed for the IEI display monitors. It delivers excellent performance and flexibility over hardware OSD solutions in the monitor unit. Users can adjust the monitor with the smartOSD in a Windows® environment from the remote system instead of adjustment from front panel.

The smartOSD allows some functions as below :

- Power on/off
- Graphic card mode selection
- DICOM Look-Up-Table selection
- Luminance selection
- Color temperature selection
- Monitor Information

## Ergonomic Design

Narrow bezels enable seamless side-by-side viewing for diagnostic applications.



## Pairing Monitors

IEI provides a pair matching service for dual-head display applications, allowing image comparison for diagnostic practices.



## Graphic Card Compatibility



nVIDIA QUADRO FX560/FX1500  
nVidia GeForce 8600GT



ATI V7100/V3400

## Packing List

PACSmate™ Series medical LCD monitor
Monitor stand
Power Cord (US x 1, EU x 1)
Power Adapter
Dual-link DVI-D Signal Cable
USB Cable
Utility CD-ROM (for user's manual and software utility)

## Specifications

PACSmate®	MMD-3213C
Drive System	a-Si TFT active matrix
Display area (H x V)	433.2mm x 324.9 mm
Diagonal size of display	54cm (21.3 inches)
Resolution (H x V)	2048 x 1536
Pixel pitch (H x V)	0.2115mm x 0.2115 mm
Sub-pixel pitch (H x V)	0.0705mm x 0.2115 mm
Pixel format	RGB (Red dot, Green dot, Blue dot) vertical stripe
Luminance-max.	235cd/m <sup>2</sup>
Max. Luminance (calibrated)	180cd/m <sup>2</sup>
Contrast ratio	450:1 (typical)
Viewing angle	Right 85°, Left 85°, Up 85°, Down 85° (10:1 contrast)
Response time (Ton + Toff)	23ms (typical)
Polarizer surface/ hardness	Antiglare/ 2H
Backlight	6 CCFL
Default gamma	Gamma 2.2
LUT	10-bit for each RGB
Signal input	Dual link DVI-D (digital)
USB 2.0 hub	1 upstream/ 2 downstream
Membrane keypad	Yes
Power adapter	100VAC-240VAC
Input voltage range	
Power adapter	47Hz-63Hz
Input frequency range	
Power adapter	1.25A-0.5A
Input AC current	
Power adapter	12VDC, 8.33A, 100W (max)
Power output	
Physical dimensions (H x W x D)	With stand: 520mm x 380mm x 274 mm (portrait) Without stand: 485mm x 380mm x 100 mm (portrait)
Adjustable height range (with stand)	Portrait: 520mm ~590 mm Landscape: 465mm ~ 535 mm
Operating temperature	10°C~40°C
Storage temperature	-20°C~60°C
Operation relative humidity	30% ~75% Non-condensing
Storage/ Transportation Relative humidity	10% ~95% Non-condensing

## Ordering information

Part No.	Description
MMD-3213C <b>3MP</b>	3 megapixel, 21.3" color LCD monitor



### Headquarters

#### IEI Technology Corp.

TEL : +886-2-86916798 FAX : +886-2-66160028  
sales@pacsmate.com www.pacsmate.com  
No. 29, Jhongsing Rd., Sijih City, Taipei County, 221, Taiwan

### America-United States

#### IEI Technology USA Corp.

TEL : +1-909-595-2819 Fax: +1-909-595-2816  
sales@pacsmate.com www.pacsmate.com  
168 University Parkway, Pomona, CA 91768

### China

#### IEI Technology (Shanghai) Co.,Ltd.

TEL : +86-21-3462-7799 FAX : +86-21-3462-7798, 3462-7797  
sales@pacsmate.com www.pacsmate.com  
3F No. 1728 Yi-Shan Road, Min-Hang, Shanghai, China