

POCM-1170C

1.3MP Multi-Purpose Color Display



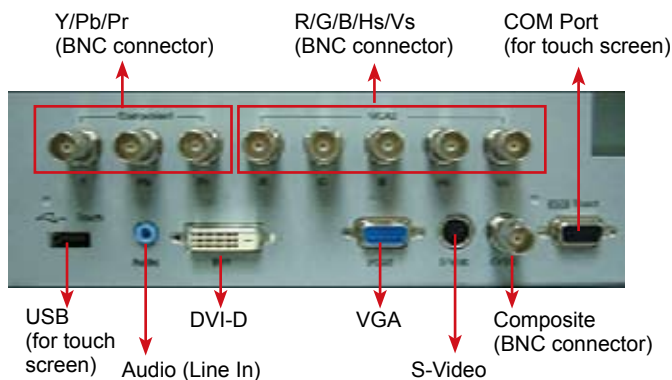
* Stand is an optional item

- 17" color TFT LCD monitor
- Resolution : 1280 x 1024
- Luminance :300 cd/m²
- Multiple video inputs for connection with MRI and ultrasound devices
- Full OSD keypad design
- Optional touch screen
- IP 65 waterproof and dustproof front bezel



Super Connectivity through Universal BNC Connectors

Universal BNC connectors on the POCM-1170C enable connection to multiple medical devices including CT, MRI and ultrasound devices. Additional S-video, DVI and VGA video inputs allow the POCM-1170C to display CR and ultrasound images. The IP 65 waterproof and dust-proof front panel make the system more reliable and durable than commercial color displays.



Great Image Review Platform

Multiple Video Inputs

The multiple video inputs, including BNC, S-video, DVI, VGA and S-video ensure expanded connectivity with a wide range of medical devices. The multiple inputs make the POCM-1170C perfect to be used as an image review terminal for MRI, CR and ultrasound applications.

1.3MP High Resolution

The POCM-1170C has high resolution, high contrast ratio and a wide viewing angle, bringing the best display quality when viewing medical images. The high brightness design makes POCM-1170C perfect for image viewing purposes as the second display which shows the medical images captured from various medical devices, such as endoscope, ultrasound and CT.

User-Friendly Advantage

Full OSD Keypad Design

The seven keys on the bottom of the front panel enables easy adjustment from front panel. Users can also check the monitor information over full OSD keypads anytime.

IP 65 Compliant Front Panel

The IP 65 front panel is waterproof and dustproof, enabling implementation in humid areas of the hospital. The screen can also be cleaned with water and disinfectant without harming the LCD screen or causing damage to the system.

Specifications

Model	POCM-1170C
LCD size(inch)	17"
Resolution	1280 x1024
Brightness (cd/m ²)	300 (typical)
Contrast Ratio	800: 1 (typical)
Pixel Pitch (mm)	0.264(H) x 0.264(V)
Viewing Angle	160°(H) / 160°(V)
Touch Screen (optional)	Optional resistive 5-wire (RS-232 interface)
Input Video Signal Connector	1 x NTSC / PAL(BNC connector) 1 x S-Video 2 x VGA (D-sub15 type, BNC type) 1 x DVI 1 x YPbPr (BNC connector)
Speakers	2 x 1~3W AMP
OSD Function	7 x buttons (On/off, Auto, Left, Up, Down, Right, Menu)
LED Function	1 x LED for Power on/off
Power In	AC 110V~240V
IP Level	IP 65
Physical Dimensions (W x H x D)	Without stand: 434.17mm x 374.67mm x 123mm
Operation Temperature	0°C~40°C
Storage Temperature	-20°C~60°C
Safety & EMI	UL60601-1 , EN60601-1 , CCC , CE(EN60601-1-2) , FCC Part 18
Preset Gamma	Gamma 2.2
Packing List	1 x Power cord 1 x User manual & Diver CD 1 x Screw set 1 x DVI cable (Single-Link) 1 x VGA cable (DB-15 to DB-15) 1 x Touch panel RS-232 cable /Touch pen Driver CD (WT-R model only)
Optional Mounting Kit	Wall mount kit: AFLWK-19 ARM: ARM-31-RS STAND: STAND-300SW-RS

Ordering Information

Part No.	Description
POCM-1170C	1.3 mega pixel, 17" color medical monitor with touch screen
POCM-1170C/T-R	1.3 mega pixel 17" color medical monitor with touch screen RS-232 interface