

IEI IBX POS PC Series

1 Application Server Platform

2 Single Board Computer

3 IBX Series POS PC

4 AFOLLUX POS Panel PC

5 Video Capture Card

6 KAMIO RISC

7 IOVU Open HMI

8 VITO Universal Controller

9 DINO BLADE

10 LCD Product Series

11 Embedded System

12 Industrial Computer Chassis

13 Power Supply

14 Peripherals



IBX-700

IBX-800

IBX-900

Diverse business applications with IBX POS PC

IBX POS PC is the dedicated design computer for Point-of-Service/Sales business. As the compact box solution, IBX POS can be easily integrated with peripherals and external devices in any business environment for any application.

Features

- Broad range of performance levels
- Full range I/O connectors comply with various peripherals & devices.
- LED indicators with powered COM ports
- Front drawing design chassis makes it easy for maintenance
- Ready-to-deploy solution once software are installed
- Industrial-grade design perfect for long hours working



IBX Platform

Fanless

Mobile Dual Core

Performance Dual Core

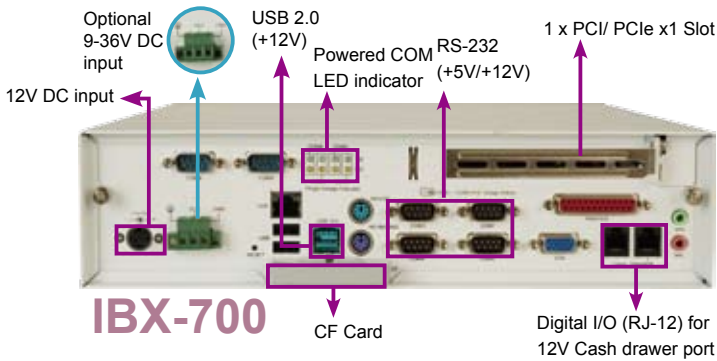


IBX Series Book size IPC

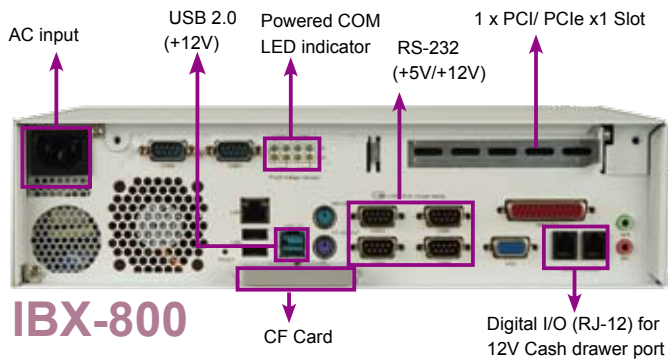
	IBX-700		IBX-800		IBX-900	
Dimensions	309 x 300 x 75 mm		309 x 330 x 85 mm		309 x 350 x 95 mm	
Generation	Pentium® M		Mobile Core™2 Duo		Desktop Core™ Duo	
FSB	400 MHz	533/400 MHz	667/ 533 MHz		1333/ 1066/ 800 MHz	
Architecture	Banias Socket 479	Dothan Socket 479	Yonah Socket M	Merom Socket M	 Core™2 Duo Conroe Wolfdale	 Quad Core Kentsfield Yorkfield
Memory	1GB memory equipped, support up to 2GB		1GB memory equipped, support up to 4GB		1GB memory equipped, support up to 4GB	
Platform	 910GMLE 915GME		 945GME		 945G Q35	

Comprehensive Connections

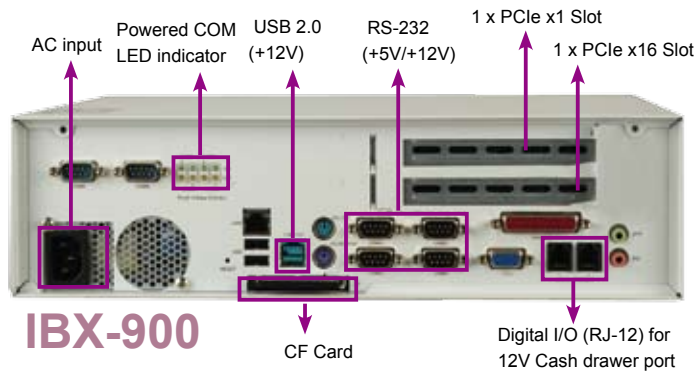
IBX POS PC is extensible by the complete I/O and PCI/PCIe riser card which are compatible with several peripherals, such as thermal printer, barcode scanner, cash drawer, MSR card reader, etc.



IBX-700



IBX-800



IBX-900

IBX Expansion Bus Slot Card

Model	Riser Card P/N	PCI	PCIe x 1	PCIe x 16	PCIe Mini Card
IBX-700	PCIR-700-R10	1	N/A	N/A	1 (for WiFi)
	PCIER-700-R10	N/A	1	N/A	1 (for WiFi)
IBX-800	PCIR-800-R10	1	N/A	N/A	1 (for WiFi)
	PCIER-800-R10	N/A	1	N/A	1 (for WiFi)
IBX-900	PCIER-900-R10	N/A	1	1	1 (for WiFi)



IBX-700



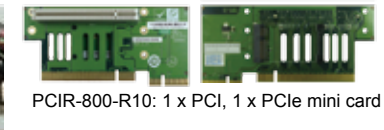
PCIR-700-R10: 1 x PCI, 1 x PCIe mini card



PCIER-700-R10: 1 x PCIe x 1, 1 x PCIe mini card



IBX-800



PCIR-800-R10: 1 x PCI, 1 x PCIe mini card



PCIER-800-R10: 1 x PCIe x 1, 1 x PCIe mini card



IBX-900



PCIER-900-R10: 1 x PCIe x 1, 1 PCIe x 16, 1 x PCIe mini card

Powered I/O

COM with 5V/12VDC output

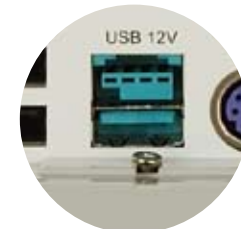
Every IBX POS PC has four powered COM port with standard DB-9 connector. The pin-9 of each COM port is the default power output pin. The output voltage of the powered COM are selectable respectively by opening and shorting the control pins onboard.



power pin

+12V PoweredUSB

The convenient PoweredUSB interface are widely used by peripherals of POS system such as receipt printer, barcode scanner, pin pad, and payment terminal, etc.



LED indicators for powered COM

To prevent device with un-match input voltage be connected mistakenly to the powered COM, each powered COM has a set of LED voltage indicators on the I/O panel. The LEDs show the current output voltage of each powered COM by green(5V) or yellow(12V).



5VDC out: COM1, COM2
12VDC out: COM3, COM4

1 Application Server Platform

2 Single Board Computer

3 IBX Series POS PC

4 AFOLUX POS Panel PC

5 Video Capture Card

6 KAMIO RISC

7 IOVU Open HMI

8 VITO Universal Controller

9 DINO BLADE

10 LCD Product Series

11 Embedded System

12 Industrial Computer Chassis

13 Power Supply

14 Peripherals

Easy Maintenance

Front draw-out chassis designed for easy maintenance

For the convenience to maintenance, IBX POS PC introduces front drawing chassis and easy-to-fasten thumb screws. Simply remove the screws on the rear and pull the front panel, it is easy for maintenance anytime anywhere.



Flexible Storage Support

<p>2.5"/ 3.5" SATA Hard Drive</p>		<p>RAID 0,1 functions IBX POS PC supports flexible data storage, including data division (RAID 0) and data replication (RAID 1) function between two hard drive bays are equipped on IBX-700/800 (2.5" HDD) and IBX-900 (3.5" HDD).</p>
<p>Slim Optical Drive</p>		<p>DVD Combo All IBX POS PC is equipped with space-saving slim DVD combo for software installation and data read/ write.</p>
<p>Rear-access CF card</p>		<p>CF cover protection Since POS is widely used in rugged business environment, the CF card is alternative device for operation system storage that avoids the crash resulting from the external vibration.</p>

Ready for Mobility

IBX POS PC is ideal for mobile applications and services since it allows to integrate with WiFi module and supports 9-36V DC input.

9-36V DC Input Power Supply

IBX POS PC offers optional 9-36VDC input that make it easy to integrate IBX POS PC anywhere on mobile or outdoor environment.

* Only available for IBX-700 series



IDD-9364120A
 Wide Input Range: 9-36V DC
 Output: Max. 120W

Wireless Network Access

All IBX POS PC supports 802.11 b/g WiFi module on PCI/ PCIe mini card for remote access. With the wireless network, it's easy to communicate wireless between POS PC to server, handheld device and mobile device, such as Palm PC, wireless scanner, and wireless credit card terminal.



Wireless module on the PCI/ PCIe mini card inside IBX POS PC



Services on Mobile cart

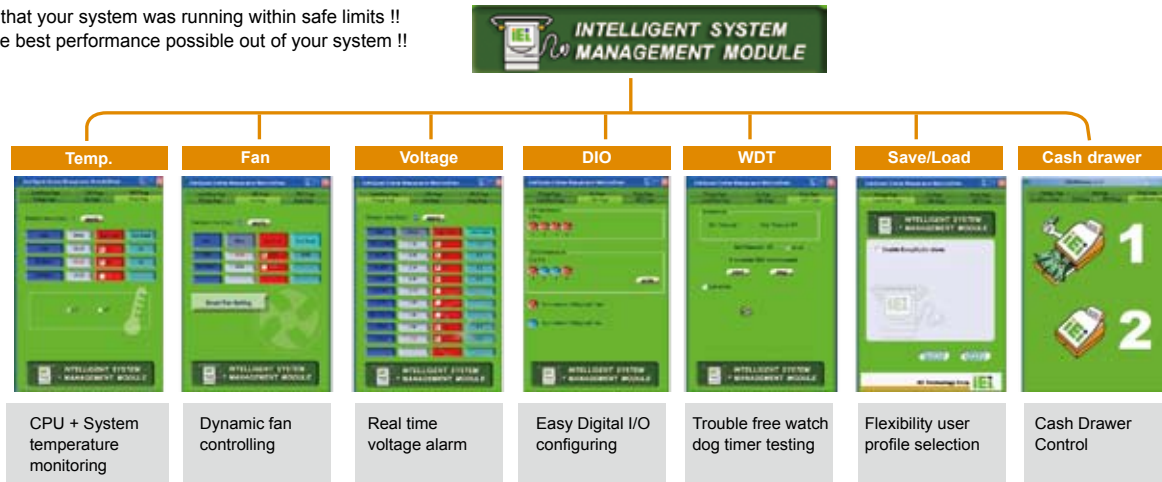
Supervision Utility

System Health Supervision to monitor system status

IEI ISMM is a system health supervision API which utilizes sensor chips on IEI motherboards to track system and CPU temperatures, voltages, cooling fans, WDT and Digital I/O set up status. By quickly catching and feedback system health data, users can prevent disasters such as system instability or damage.

Benefits:

- Know that your system was running within safe limits !!
- Get the best performance possible out of your system !!



Watchdog timer to prevent system lock-up

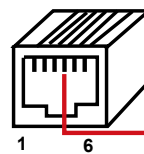
The main board features a watchdog timer (WDT) that can generate a system reset if the CPU processing comes to a halt. This feature ensures the system dependability during unattended operation.



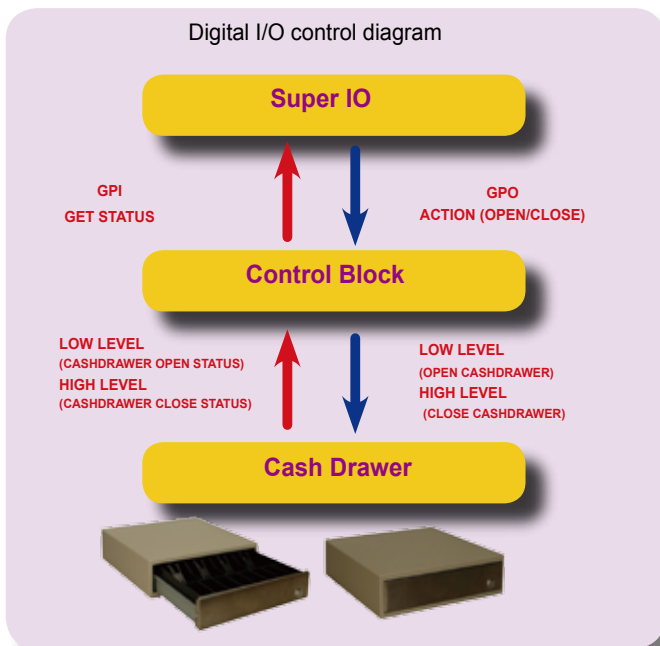
Two Digital I/O with 12V power (Cash Drawer Port)

IBX POS PC is equipped with a digital I/O RJ-12 12V port that provides extension for peripherals such as a cash drawer device, lamp, alarms etc.

Cash Drawer RJ-12 Pin Assignments



Pin	Assignment
1	Ground
2	CASH_1 (Digital Out Programmable)
3	Digital IN
4	+12V
5	NC
6	Ground



IEI ISMM cash drawer status monitoring



IEI also provides a quick and easy tool to develop cash drawer application for POS program

Free ISMM API Support

- Application Server Platform
- Single Board Computer
- IBX Series POS PC
- AFOLUX POS Panel PC
- Video Capture Card
- KAMIO RISC
- IOVU Open HMI
- VITO Universal Controller
- DINO BLADE
- LCD Product Series
- Embedded System
- Industrial Computer Chassis
- Power Supply
- Peripherals

Specifications



1
Application Server Platform

2
Single Board Computer

3
IBX Series POS PC

4
AFOLLUX POS Panel PC

5
Video Capture Card

6
KAMIO RISC

7
IOVU Open HMI

8
VITO Universal Controller

9
DINO BLADE

10
LCD Product Series

11
Embedded System

12
Industrial Computer Chassis

13
Power Supply

14
Peripherals

Model No.	IBX-700-9103	IBX-700-9153	IBX-800-9452	IBX-900-9454	IBX-900-Q354
SBC	POS-9103	POS-9153	POS-9452	POS-9454	POS-Q354
CPU Options	Intel® ULV Celeron® M 1GHz / 512KB L2 cache Processor 373	Intel® Celeron® M 1.5GHz / 1MB L2 cache Processor 370	Intel® Core™ Duo 1.66GHz / 2MB L2 cache Processor T2300E	Intel® Celeron® D 3.2GHz / 512KB L2 cache Processor 352 Intel® Pentium® 4 3.4GHz / 2MB L2 cache Processor 651 Intel® Pentium® Dual-Core Processor E2160	Intel® Core™ 2 Duo 3.0GHz / 6MB L2 cache Processor E8400
Chipset	Intel® 910GML+ ICH6-M	Intel® 915GME+ ICH6-M	Intel® 945GME+ ICH7-M	Intel®945G+ ICH7-R	Intel®Q35+ ICH9DO
Memory	built-in 1GB DDR2 memory system supports 2 x 240 pin Dual channel DDR2 400/533 MHz up to 2 GB		built-in 1GB DDR2 memory system supports 2 x 240 pin Dual channel DDR2 533/667MHz up to 4 GB	built-in 1GB DDR2 memory system supports 2 x 240 pin Dual channel DDR2 533/667/800MHz up to 4 GB	
Display	Integrated in Intel® 910GML+	Integrated in Intel® 915GME	Integrated in Intel® 945GME	Integrated in Intel® 945G	Integrated in Intel® Q35
Extension Slot	Expandable with optional riser card PCIR-700: 1 x PCI, 1 x PCIe MiniCard PCIER-700: 1 x PCIe x 1, 1 x PCIe MiniCard		Expandable with optional riser card PCIR-800: 1 x PCI, 1 x PCIe MiniCard PCIER-800: 1 x PCIe x 1, 1 x PCIe MiniCard	Expandable with optional riser card PCIER-900: 1 x PCIe x 16, 1 x PCIe x 1, 1 x PCIe MiniCard	
HDD	built-in 1 x 80GB 2.5" SATA HDD supports up to 2 x 2.5" HDD			built-in 1 x 160GB 3.5" SATA HDD supports up to 2 x 3.5" HDD	
SSD	1 x CF Type II slot				
LAN	1 x GbE with RJ-45				2 x GbE with RJ-45
USB	2 x USB 2.0 on front panel 2 x USB 2.0 on I/O panel				2 x USB 2.0 on front panel 4 x USB 2.0 on I/O panel
COM	2 x RS-232 (COM5/ COM6)				N/A
Powered COM	5V or 12V output from pin 9, with LED voltage indicator (COM1~COM4)				
LPT	1 x DB-25				
Powered USB	1 x 12V Powered USB				
Cash Drawer Port (Digital I/O)	2 x RJ-12, 1DI/ 1DO with 12VDC output				
Wireless	Expandable by BTO order with MOQ 802.11b/g with PIFA antenna, PCIe interface				
KB/MS	1/1 PS2				
Audio	1 x Line-out, 1 x Mic in				
ODD	1 x slim DVD Combo CD-RW 24x, DVD-ROM 8 x				
Operation Temperature	0°C ~ 45°C				
Power Input	12V DC in with 63000-FSP0841ADC11118-RS 84W power adapter 9-36VDC in by IDD-9364120A DC-to-DC module"		90V~264V AC in, with ACE-A615A 150W ATX power supply	90V~264V AC in, with ACE-A627A 270W ATX power supply	
Dimensions (WxDxH)	309 mm x 300 mm x 75 mm		309 mm x 330 mm x 85 mm	309 mm x 350 mm x 95 mm	
Net Weight	3.6 kgs		4.3 kgs	5.1 kgs	
EMC/ Safety	CE, FCC, UL, CCC		CE, FCC, UL, CCC	CE, FCC, UL, CCC	

• IBX Series Options

Model	Part No.	Description
IBX-700	IBXCF-P9103-XPE	Windows® XP Embedded OS image for IBX-700-9103, with 1GB CF card
	IBXCF-P9103-WEPOS	Windows® WEPOS OS image for IBX-700-9103, with 1GB CF card
	IBXCF-P9153-XPE	Windows® XP Embedded OS image for IBX-700-9153, with 1GB CF card
	IBXCF-P9153-WEPOS	Windows® WEPOS OS image for IBX-700-9153, with 1GB CF card
	PCIR-700-R10	Riser card for IBX-700 with one PCI and one PCIE mini card slot
IBX-800	PCIER-700-R10	Riser card for IBX-700 with one PCIe x1 slot and one PCIE mini card slot
	IBXCF-P9452-XPE	Windows® XP Embedded OS image for IBX-800-9452, with 1GB CF card
	IBXCF-P9452-WEPOS	Windows® WEPOS OS image for IBX-800-9452, with 1GB CF card
IBX-900	PCIR-800-R10	Riser card for IBX-800 with one PCI slot and one PCIE mini card slot
	PCIER-800-R10	Riser card for IBX-800 with one PCIe x1 slot and one PCIE mini card slot
	IBXCF-P9454-XPE	Windows® XP Embedded OS image for IBX-900-9454, with 1GB CF card
	IBXCF-P9454-WEPOS	Windows® WEPOS OS image for IBX-900-9454, with 1GB CF card
IBX-900	PCIER-900-R10	Riser card for IBX-900 with one PCIe x16 slot, one PCIe x1 slot and one PCIE mini card slot
	PCIER-900-X1X4-R10	Riser card for IBX-900 with one PCIe x4 slot, one PCIe x1 slot

• Naming Rule

IBX - 700 M - 9103 - R10 - WBOOC / CM373 / 1GB / 80G

- A** Design Code
700, 800, 900
- B** Power input
A ~ AC in, D ~ 12VDC in, M ~ 9-36VDC in
- C** SBC code
- D** Revision number
- E** Configuration code
1st letter - color
W ~ white
2nd letter - CPU mounting
S ~ socket, B ~ CPU onboard
3rd letter - riser card type
O ~ without riser, I ~ PCI riser, E ~ PCIe riser
4th letter - wireless mode
O ~ without wireless, N ~ 802.11b/g/n wireless, G ~ 802.11b wireless
5th letter - ODD type
O ~ without ODD, C ~ DVD combo, D ~ DVD RW
- F** CPU code
- G** Memory capacity
- H** Hard drive capacity

Ordering Information

• With DVD Combo

model		Part No.	Description	Wireless	Expansions		
IBX-700	90-264V AC	90-264V AC-DC power adapter in, 910GMLE with Processor 373					
		910GMLE	IBX-700D-9103-R10-WBOOC/CM373/1GB/80G	Integrated service computer with Intel® ULV Celeron® M 1GHz / 512KB L2 cache processor 373, 1GB DDR2 MEMORY, 2.5" SATA HDD 80GB, DVD combo, 12VDC input, white color, RoHS	N/A	N/A	
			IBX-700D-9103-R10-WBIGC/CM373/1GB/80G	Integrated service computer with Intel® ULV Celeron® M 1GHz / 512KB L2 cache processor 373, 1GB DDR2 memory, 2.5" SATA HDD 80GB, DVD combo, built-in 802.11b/g wireless with one PCI expansion slot, 12VDC input, white color, RoHS	802.11b/g	PCI	
			IBX-700D-9103-R10-WBEGC/CM373/1GB/80G	Integrated service computer with Intel® ULV Celeron® M 1GHz / 512KB L2 cache processor 373, 1GB DDR2 memory, 2.5" SATA HDD 80GB, DVD combo, built-in 802.11b/g wireless with one PCIe x1 expansion slot, 12VDC input, white color, RoHS	802.11b/g	PCIe x1	
		915GME	90-264V AC-DC power adapter in, 915GME with Processor 370				
			IBX-700D-9153-R10-WSOOC/CM370/1GB/80G	Integrated service computer with Intel® Celeron® M 1.5GHz / 1MB L2 cache processor 370, 1GB DDR2 memory, 2.5" SATA HDD 80GB, DVD combo, 12VDC input, white color, RoHS	N/A	N/A	
	IBX-700D-9153-R10-WSIGC/CM370/1GB/80G		Integrated service computer with Intel® Celeron® M 1.5GHz / 1MB L2 cache processor 370, 1GB DDR2 memory, 2.5" SATA HDD 80GB, DVD combo, built-in 802.11b/g wireless with one PCI expansion slot, 12VDC input, white color, RoHS	802.11b/g	PCI		
	9-36V DC	910GMLE	9-36V DC in, 910GMLE with Processor 373				
			IBX-700M-9103-R10-WBOOC/CM373/1GB/80G	Integrated service computer with Intel® ULV Celeron® M 1GHz / 512KB L2 cache processor 373, 1GB DDR2 memory, 2.5" SATA HDD 80GB, DVD combo, 9-36VDC in, white color, RoHS	N/A	N/A	
			IBX-700M-9103-R10-WBIGC/CM373/1GB/80G	Integrated service computer with Intel® ULV Celeron® M 1GHz / 512KB L2 cache processor 373, 1GB DDR2 memory, 2.5" SATA HDD 80GB, DVD combo, built-in 802.11b/g wireless with one PCI expansion slot, 9-36VDC in, white color, RoHS	802.11b/g	PCI	
		915GME	IBX-700M-9103-R10-WBEGC/CM373/1GB/80G	Integrated service computer with Intel® ULV Celeron® M 1GHz / 512KB L2 cache processor 373, 1GB DDR2 memory, 2.5" SATA HDD 80GB, DVD combo, built-in 802.11b/g wireless with one PCIe x1 expansion slot, 9-36VDC in, white color, RoHS	802.11b/g	PCIe x1	
			9-36V DC in, 915GME with Processor 370				
IBX-700M-9153-R10-WSOOC/CM370/1GB/80G			Integrated service computer with Intel® Celeron® M 1.5GHz / 1MB L2 cache processor 370, 1GB DDR2 memory, 2.5" SATA HDD 80GB, DVD combo, 9-36VDC input, white color, RoHS	N/A	N/A		
IBX-800	90-264V AC	90-264V AC in, 945GME					
		945GME	IBX-800A-9452-R10-WSOOC/T2300E/1GB/80G	Integrated service computer with Intel® Core™ Duo 1.66GHz / 2MB L2 cache processor T2300E, 1GB DDR2 memory, 2.5" SATA HDD 80GB, DVD combo, 90V-264VAC in, 150W power supply, white color, RoHS	N/A	N/A	
			IBX-800A-9452-R10-WSIGC/T2300E/1GB/80G	Integrated service computer with Intel® Core™ Duo 1.66GHz / 2MB L2 cache processor T2300E, 1GB DDR2 memory, 2.5" SATA HDD 80GB, DVD combo, built-in 802.11b/g wireless with one PCI expansion slot, 90V-264VAC in, 150W power supply, white color, RoHS	802.11b/g	PCI	
	IBX-800A-9452-R10-WSEGC/T2300E/1GB/80G		Integrated service computer with Intel® Core™ Duo 1.66GHz / 2MB L2 cache processor T2300E, 1GB DDR2 memory, 2.5" SATA HDD 80GB, DVD combo, built-in 802.11b/g wireless with one PCIe x1 expansion slot, 90V-264VAC in, 150W power supply, white color, RoHS	802.11b/g	PCIe x1		
	90-264V AC	945G	90-264V AC in, 945G				
			IBX-900A-9454-R10-WSOOC/CD352/1GB/160G	Integrated service computer with Intel® Celeron® D 3.2GHz / 512KB L2 cache processor 352, 1GB DDR2 memory, one 3.5" SATA HDD 160GB, DVD combo, 90V-264VAC in, 270W power supply, white color, RoHS	N/A	N/A	
IBX-900A-9454-R10-WSEGC/CD352/1GB/160G			Integrated service computer with Intel® Celeron® D 3.2GHz / 512KB L2 cache processor 352, 1GB DDR2 memory, one 3.5" SATA HDD 160GB, DVD combo, built-in 802.11b/g wireless with one PCIe x1 and one PCIe x16 expansion slot, 90V-264VAC in, 270W power supply, white color, RoHS	802.11b/g	PCIe x1 PCIe x16		
IBX-900A-9454-R10-WSOOC/P651/1GB/160G			Integrated service computer with Intel® Pentium® 4 3.4GHz / 2MB L2 cache processor 651, 1GB DDR2 memory, one 3.5" SATA HDD 160GB, DVD combo, 90V-264VAC in, 270W power supply, white color, RoHS	N/A	N/A		
IBX-900A-9454-R10-WSEGC/P651/1GB/160G			Integrated service computer with Intel® Pentium® 4 3.4GHz / 2MB L2 cache processor 651, 1GB DDR2 memory, one 3.5" SATA HDD 160GB, DVD combo, built-in 802.11b/g wireless with one PCIe x1 and one PCIe x16 expansion slot, 90V-264VAC in, 270W power supply, white color, RoHS	802.11b/g	PCIe x1 PCIe x16		
IBX-900A-9454-R10-WSOOC/E2160/1GB/160G			Integrated service computer with Intel® Pentium® Dual-Core 1.8GHz / 1MB L2 cache processor E2160, 1GB DDR2 memory, one 3.5" SATA HDD 160GB, DVD combo, 90V-264VAC in, 270W power supply, white color, RoHS	N/A	N/A		
IBX-900	90-264V AC	Q35	90-264V AC in, Q35				
			IBX-900A-Q354-R10-WSOOC/E8400/1GB/160G	Integrated service computer with Intel® Core™ 2 Duo 3.0GHz / 6MB L2 cache processor E8400, 1GB DDR2 memory, one 3.5" SATA HDD 160GB, DVD combo, 90V-264VAC in, 270W power supply, white color, RoHS	N/A	N/A	
			IBX-900A-Q354-R10-WSEGC/E8400/1GB/160G	Integrated service computer with Intel® Core™ 2 Duo 3.0GHz / 6MB L2 cache processor E8400, 1GB DDR2 memory, one 3.5" SATA HDD 160GB, DVD combo, built-in 802.11b/g wireless with one PCIe x1 and one PCIe x16 expansion slot, 90V-264VAC in, 270W power supply, white color, RoHS	802.11b/g	PCIe x1 PCIe x16	

For other configurations, please contact local distributor or IEI sales representative.

- 1 Application Server Platform
- 2 Single Board Computer
- 3 IBX Series POS PC
- 4 AFOLUX POS Panel PC
- 5 Video Capture Card
- 6 KAMIO RISC
- 7 IOVU Open HMI
- 8 VITO Universal Controller
- 9 DINO BLADE
- 10 LCD Product Series
- 11 Embedded System
- 12 Industrial Computer Chassis
- 13 Power Supply
- 14 Peripherals

Ordering Information

Without DVD Combo

model		Part No.	Description	Wireless	Expansions	
IBX-700	90-264V AC	90-264V AC-DC power adapter in, 910GMLE with Processor 373				
		910GMLE	IBX-700D-9103-R10-WBOOO/CM373/1GB/80G	Integrated service computer with Intel® ULV Celeron® M 1GHz / 512KB L2 cache processor 373, 1GB DDR2 memory, 2.5" SATA HDD 80GB, 12VDC input, white color, RoHS	N/A	N/A
			IBX-700D-9103-R10-WBIGO/CM373/1GB/80G	Integrated service computer with Intel® ULV Celeron® M 1GHz / 512KB L2 cache processor 373, 1GB DDR2 memory, 2.5" SATA HDD 80GB, built-in 802.11b/g wireless with one PCI expansion slot, 12VDC input, white color, RoHS	802.11b/g	PCI
			IBX-700D-9103-R10-WBEGO/CM373/1GB/80G	Integrated service computer with Intel® ULV Celeron® M 1GHz / 512KB L2 cache processor 373, 1GB DDR2 memory, 2.5" SATA HDD 80GB, built-in 802.11b/g wireless with one PCIe x1 expansion slot, 12VDC input, white color, RoHS	802.11b/g	PCIe x1
		90-264V AC-DC power adapter, 915GME with Processor 370				
		915GME	IBX-700D-9153-R10-WSOOO/CM370/1GB/80G	Integrated service computer with Intel® Celeron® M 1.5GHz / 1MB L2 cache processor 370, 1GB DDR2 memory, 2.5" SATA HDD 80GB, 12VDC input, white color, RoHS	N/A	N/A
	IBX-700D-9153-R10-WSIGO/CM370/1GB/80G		Integrated service computer with Intel® Celeron® M 1.5GHz / 1MB L2 cache processor 370, 1GB DDR2 memory, 2.5" SATA HDD 80GB, built-in 802.11b/g wireless with one PCI expansion slot, 12VDC input, white color, RoHS	802.11b/g	PCI	
	IBX-700D-9153-R10-WSEGO/CM370/1GB/80G		Integrated service computer with Intel® Celeron® M 1.5GHz / 1MB L2 cache processor 370, 1GB DDR2 memory, 2.5" SATA HDD 80GB, built-in 802.11b/g wireless with one PCIe x1 expansion slot, 12VDC input, white color, RoHS	802.11b/g	PCIe x1	
	9-36V DC	9-36V DC in, 910GMLE with Processor 373				
		910GMLE	IBX-700M-9103-R10-WBOOO/CM373/1GB/80G	Integrated service computer with Intel® ULV Celeron® M 1GHz / 512KB L2 cache processor 373, 1GB DDR2 memory, 2.5" SATA HDD 80GB, 9-36VDC in, white color, RoHS	N/A	N/A
			IBX-700M-9103-R10-WBIGO/CM373/1GB/80G	Integrated service computer with Intel® ULV Celeron® M 1GHz / 512KB L2 cache processor 373, 1GB DDR2 memory, 2.5" SATA HDD 80GB, built-in 802.11b/g wireless with one PCI expansion slot, 9-36VDC in, white color, RoHS	802.11b/g	PCI
			IBX-700M-9103-R10-WBEGO/CM373/1GB/80G	Integrated service computer with Intel® ULV Celeron® M 1GHz / 512KB L2 cache processor 373, 1GB DDR2 memory, 2.5" SATA HDD 80GB, built-in 802.11b/g wireless with one PCIe x1 expansion slot, 9-36VDC in, white color, RoHS	802.11b/g	PCIe x1
		9-36V DC in, 915GME with Processor 370				
		915GME	IBX-700M-9153-R10-WSOOO/CM370/1GB/80G	Integrated service computer with Intel® Celeron® M 1.5GHz / 1MB L2 cache processor 370, 1GB DDR2 memory, 2.5" SATA HDD 80GB, 9-36VDC input, white color, RoHS	N/A	N/A
			IBX-700M-9153-R10-WSIGO/CM370/1GB/80G	Integrated service computer with Intel® Celeron® M 1.5GHz / 1MB L2 cache processor 370, 1GB DDR2 memory, 2.5" SATA HDD 80GB, built-in 802.11b/g wireless with one PCI expansion slot, 9-36VDC input, white color, RoHS	802.11b/g	PCI
IBX-700M-9153-R10-WSEGO/CM370/1GB/80G			Integrated service computer with Intel® Celeron® M 1.5GHz / 1MB L2 cache processor 370, 1GB DDR2 memory, 2.5" SATA HDD 80GB, built-in 802.11b/g wireless with one PCIe x1 expansion slot, 9-36VDC input, white color, RoHS	802.11b/g	PCIe x1	
IBX-800		90-264V AC	90-264V AC in, 945GME			
	945GME		IBX-800A-9452-R10-WSOOO/T2300E/1GB/80G	Integrated service computer with Intel® Core™ Duo 1.66GHz / 2MB L2 cache processor T2300E, 1GB DDR2 memory, 2.5" SATA HDD 80GB, 90V-264VAC in, 150W power supply, white color, RoHS	N/A	N/A
			IBX-800A-9452-R10-WSIGO/T2300E/1GB/80G	Integrated service computer with Intel® Core™ Duo 1.66GHz / 2MB L2 cache processor T2300E, 1GB DDR2 memory, 2.5" SATA HDD 80GB, built-in 802.11b/g wireless with one PCI expansion slot, 90V-264VAC in, 150W power supply, white color, RoHS	802.11b/g	PCI
IBX-800A-9452-R10-WSEGO/T2300E/1GB/80G		Integrated service computer with Intel® Core™ Duo 1.66GHz / 2MB L2 cache processor T2300E, 1GB DDR2 memory, 2.5" SATA HDD 80GB, built-in 802.11b/g wireless with one PCIe x1 expansion slot, 90V-264VAC in, 150W power supply, white color, RoHS	802.11b/g	PCIe x1		
IBX-900	90-264V AC	90-264V AC in, 945G				
		945G	IBX-900A-9454-R10-WSOOO/CD352/1GB/160G	Integrated service computer with Intel® Celeron® D 3.2GHz / 512KB L2 cache processor 352, 1GB DDR2 memory, one 3.5" SATA HDD 160GB, 90V-264VAC in, 270W power supply, white color, RoHS	N/A	N/A
			IBX-900A-9454-R10-WSEGO/CD352/1GB/160G	Integrated service computer with Intel® Celeron® D 3.2GHz / 512KB L2 cache processor 352, 1GB DDR2 memory, one 3.5" SATA HDD 160GB, built-in 802.11b/g wireless with one PCIe x1 and one PCIe x16 expansion slot, 90V-264VAC in, 270W power supply, white color, RoHS	802.11b/g	PCIe x1 PCIe x16
			IBX-900A-9454-R10-WSOOO/P651/1GB/160G	Integrated service computer with Intel® Pentium® 4 3.4GHz / 2MB L2 cache processor 651, 1GB DDR2 memory, one 3.5" SATA HDD 160GB, 90V-264VAC in, 270W power supply, white color, RoHS	N/A	N/A
		IBX-900A-9454-R10-WSEGO/P651/1GB/160G	Integrated service computer with Intel® Pentium® 4 3.4GHz / 2MB L2 cache processor 651, 1GB DDR2 memory, one 3.5" SATA HDD 160GB, built-in 802.11b/g wireless with one PCIe x1 and one PCIe x16 expansion slot, 90V-264VAC in, 270W power supply, white color, RoHS	802.11b/g	PCIe x1 PCIe x16	
		IBX-900A-9454-R10-WSOOO/E2160/1GB/160G	Integrated service computer with Intel® Pentium® Dual-Core 1.8GHz / 1MB L2 cache processor E2160, 1GB DDR2 memory, one 3.5" SATA HDD 160GB, 90V-264VAC in, 270W power supply, white color, RoHS	N/A	N/A	
	IBX-900A-9454-R10-WSEGO/E2160/1GB/160G	Integrated service computer with Intel® Pentium® Dual-Core 1.8GHz / 1MB L2 cache processor E2160, 1GB DDR2 memory, one 3.5" SATA HDD 160GB, built-in 802.11b/g wireless with one PCIe x1 and one PCIe x16 expansion slot, 90V-264VAC in, 270W power supply, white color, RoHS	802.11b/g	PCIe x1 PCIe x16		
	Q35	90-264V AC in, Q35				
		IBX-900A-Q354-R10-WSOOO/E8400/1GB/160G	IBX-900A-Q354-R10-WSOOO/E8400/1GB/160G	Integrated service computer with Intel® Core™ 2 Duo 3.0GHz / 6MB L2 cache processor E8400, 1GB DDR2 memory, one 3.5" SATA HDD 160GB, 90V-264VAC in, 270W power supply, white color, RoHS	N/A	N/A
IBX-900A-Q354-R10-WSEGO/E8400/1GB/160G			Integrated service computer with Intel® Core™ 2 Duo 3.0GHz / 6MB L2 cache processor E8400, 1GB DDR2 memory, one 3.5" SATA HDD 160GB, built-in 802.11b/g wireless with one PCIe x1 and one PCIe x16 expansion slot, 90V-264VAC in, 270W power supply, white color, RoHS	802.11b/g	PCIe x1 PCIe x16	

- 1 Application Server Platform
- 2 Single Board Computer
- 3 IBX Series POS PC
- 4 AFOLLUX POS Panel PC
- 5 Video Capture Card
- 6 KAMIO RISC
- 7 IOVU Open HMI
- 8 VITO Universal Controller
- 9 DINO BLADE
- 10 LCD Product Series
- 11 Embedded System
- 12 Industrial Computer Chassis
- 13 Power Supply
- 14 Peripherals