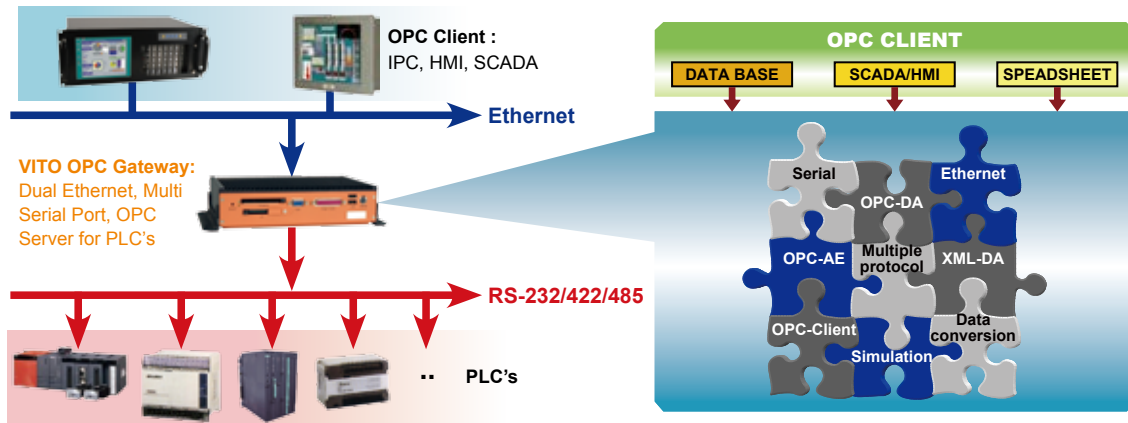


VITO-2100-OPC310

All-in-One OPC Gateway with ULV Intel® Celeron® M 1 GHz, 2 x LAN, 4 x COM, 2 x USB, 1 x LPT, 1 x PC Card Slot
1 x CF Slot

Multiple built-in protocols enables easy-to-use industrial networking
All-in-One Intelligent System Fanless Rugged Design



Compliance OPC Specification:

- Data Access V1.0, V2.05A, V3.0
- Alarms and Events V1.1
- Data Access Automation Interface Standard V2.0
- OPC Common Definitions and Interfaces V1.0
- OPC XML-DA V1.0
- OPC Complex Data V1.0
- Provide Data Access and Alarms & Events two kind of OPC Server in one software.
- Provide various engineering Data Conversion.
- Provides multiple signal simulation functions.
- Multi-threaded design with high performance.
- Connect to the OPC Server through the internet with the OPC XML-DA function.
- View Monitor enables viewing the values of the devices after the tags are defined in the OPC server. The View Monitor reads the data from the devices and writes data to control the devices.
- Use MS Access database as the Configuration File allowing multiple configuration files and choosing one as an active file.
- Export / Import the configuration by Excel CSV file.
- Ethernet Port and Ethernet IP address could no limited free defined by users. It depends on the limitation of the hardware structure.
- BOOL, INT, DINT, UINT, UDINT, REAL and STRING data types provided.
- The Input / Output Register can define multiple Bits or single bit fields.
- High / Low Alarm Limit and Digital Alarm Conditions can be defined.
- Cohere with OPC Device, Group, TAG .. etc structure.

Features

- ULV Intel® Celeron® M 1GHz zero cache processor
- Four isolated RS-232/422/485 (DB-9 connectors) ports with automatic flow control
- Two 10/100 Mbps Ethernet RJ-45 ports and two USB ports
- One PC card slot support PCMCIA and one CompactFlash™ slot
- One parallel port
- Windows® XP Embedded ready platform
- Supports remote display for easy configuration
- Built-in OPC server leading PLC PROTOCOL
- PC/104 expansion board
- Support IDE HDD

Connectivity

Supported PLC list

Manufacturer	Models	Type	Protocol
Allen Bradley	PM3000 power meter	Serial	DF1 Master
	PLC 5/10, PLC 5/15, PLC 5/20, PLC5/20C, PLC5/25, PLC5/30, PLC5/40, PLC5/40C, PLC 5/60, PLC 5/80, PLC5/80C	Serial	DF1
	SLC 500 Fixed I/O, SLC 5/01, SLC 5/02, SLC 5/03, SLC 5/04, SLC 5/05	Serial	DF1
	MicroLogix 1000, MicroLogix 1100, MicroLogix 1200, MicroLogix 1500	Serial	DF1
	AB PLC5 Ethernet	Ethernet	ABNet
	AB SLC5/05 Ethernet	Ethernet	ABNet
DataExchange	For the software or programming language	Serial	DataExchange
Delta	DVP-ES,DVP-EX,DVP-SS,DVP-SA,DVP-SX,DVP-SC,DVP-EH,DVP-EH2,DVP-SV,DVP-PM	Serial	Delta
	DVP-SV	Ethernet	Delta
Facon	FBs-20MN, FBs-32MN, FBs-44MN, FBs-10MC, FBs-14MC, FBs-20MC, FBs-24MC, FBs-32MC, FBs-40MC, FBs-60MC, FBs-10MA, FBs-14MA, FBs-20MA, FBs-24MA, FBs-32MA, FBs-40MA, FBs-60MA	Serial	Fatek
	FBs-20MN, FBs-32MN, FBs-44MN, FBs-10MC, FBs-14MC, FBs-20MC, FBs-24MC, FBs-32MC, FBs-40MC, FBs-60MC, FBs-10MA, FBs-14MA, FBs-20MA, FBs-24MA, FBs-32MA, FBs-40MA, FBs-60MA	Ethernet	FatekNet
Fuji	Micrex F PLC (Tlink)	Serial	T-Link
GE Fanuc	9030-311, 9030-313, 9030-323, 9030-331, 9030-340, 9030-341, 9030-350, 9030-351, 9030-352, 9030-360, 9030-363, 9030-364, 9030-374, 9070-731, 9070-732, 9070-772, 9070-780, 9070-782, 9070-788, 9070-789, 9070-790, 9070-915, 9070-925, Micro, VersaMax CPU-001, VersaMax CPU-002, VersaMax CPU-005, VersaMax CPU-E05	Serial	SNP
	9030-311, 9030-313, 9030-323, 9030-331, 9030-352, 9030-350, 9030-360, 9030-363, 9030-364, 9030-374, 9070-772, 9070-782, 9070-788, 9070-789, 9070-790, 9070-928, 9070-935, VersaMax CPU-E05	Serial	SNP-X
	9030-311, 9030-313, 9030-323, 9030-331, 9030-352, 9030-350, 9030-360, 9030-363, 9030-364, 9030-374, 9070-772, 9070-782, 9070-788, 9070-789, 9070-790, 9070-928, 9070-935, VersaMax CPU-E05	Ethernet	SRTP
Hitachi	H250, H252, H252B, H252C, H302, H702, H1002, H2002, H4010	Serial	H-Protocol
	All Micro series Hitachi PLC		
	H20, H60, H200, H300, H700, H2000		
	H250, H252, H252B, H252C, H302, H702, H1002, H2002, H4010	Ethernet	H-Protocol
All Micro series Hitachi PLC			
Koyo	DL-05, DL-06, DL-230, DL-240, DL-250, DL-260, DL-330, DL-340, DL-430, DL-440, DL-450, DL-460	Serial	Direct Net
	DL-05, DL-06, DL-230, DL-240, DL-250, DL-260, DL-330, DL-340, DL-430, DL-440, DL-450, DL-460	Ethernet	Direct ECOM
LG	GLOFA-GMR, GLOFA-GM1, GLOFA-GM2, GLOFA-GM3, GLOFA-GM4, GLOFA-GM6, GLOFA-GM7	Serial	LG CNet Dedicated
	GLOFA-GMR, GLOFA-GM1, GLOFA-GM2, GLOFA-GM3, GLOFA-GM4, GLOFA-GM6	Ethernet	LG Fast Ethernet
	K200S, K300S, K1000S	Serial	LG CNet Dedicated
	K200S, K300S, K1000S	Ethernet	LG Fast Ethernet
MDC	MDC360	Serial	MDC360
Mitsubishi	FX0N, FX1N, FX2N, FX2, FX2C, FX3U	Serial	Melsec-F (MC Protocol)
	A1, A2, A3	Serial	Melsec-A (MC Protocol)
	QnA, Q00, Q01, Q06, Q12, Q25	Serial	Melsec-Q (MC Protocol)
Mitsubishi	FX3U	Ethernet	MelsecF-Net (MC Protocol)
	A1, A2, A3	Ethernet	MelsecA-Net (MC Protocol)
	QnA, Q00, Q01, Q06, Q12, Q25	Ethernet	MelsecQ-Net (MC Protocol)
Modbus	ASCII/RTU	Serial	Modbus
Modbus TCP	Ethernet	Ethernet	Modbus TCP
Omron	C200H, C200HE, C200HE-Z, C200HG, C200HG-Z, C200HS, C200HX, C200HX-Z, C500, C1000H, C2000H, CJ1G-H, CJ1H-H, CJ1M, CJ1G, CQM1H, CS1G, CS1H, CV500, CV1000, CV2000, CVM1, CVM1-V2	Serial	Hostlink
	C200HE, C200HE-Z, C200HG, C200HG-Z, C200HX, C200HX-Z, CJ1G-H, CJ1H-H, CJ1M, CJ1G, CS1G, CS1H, CV500, CV1000, CV2000, CVM1, CVM1-V2	Ethernet	FinsUDP FinsTCP/IP
Panasonic	FP all series	Serial	MEWTOCOL
Schneider	Micro all series, Premium all series, Twido all series, Quantum all series, Momentum all series	Serial	Modbus
	Premium all series, Twido all series, Quantum all series, Momentum all series	Ethernet	ModbusTCP
Siemens	S7-200	Serial	PPI
	S7-200, S7-300, SIPLUS S7-300, S7-400, S7-400H/F/FH		MPI
	S7-200, S7-300, SIPLUS S7-300, S7-400, S7-400H/F/FH	Ethernet	Siemens TCP/IP
VESDA	VESDA	Serial	VESDA
Yaskawa	Memocon U-84, Memocon U-84J, Memocon U-84S, Memocon GL40S, Memocon GL60S, Memocon GL60H, Memocon GL70H, Memocon GL120, Memocon GL130, Control Pack CP-9200SH, PROGIC-8 PRIGIC-8	Serial	MEMOBUS
	MP920, MP930, MP940, MP2200, MP2300S, MP2300, MP2310, MP2400	Serial	MEMOBUS
	MP920, MP930, MP940, MP2200, MP2300S, MP2300, MP2310, MP2400	Ethernet	MEMOBUS
Yokogawa	FA-M3 series	Serial	AceFAM3
	FA-M3 series	Ethernet	AceFAM3

Specifications

System hardware	CPU	ULV Intel® Celeron® M 1 GHz / zero cache
	System chipsets	Intel® 852GM + ICH4
	Memory socket	1 x 200-pin 1 GB (max.) 266/200 MHz DDR SDRAM SO-DIMM
	Memory size	512 MB
	Keyboard/mouse	1 x PS/2
	Expansion slot	1 x PC card slot support PCMCIA, 1 x CompactFlash™ slot
	PC/104	1 x PC/104
	Printer port	1 x LPT
	Storage interface	1 x CF type II slot, 1 x IDE
	Storage	2 GB CF card
I/O & communication	VGA	1 x 15-pin D-SUB VGA output supports up to 1600 x 1200
	Audio	-
	Watchdog timer	Programmable
Power	LAN	2 x Ethernet (10/100Base-T with RJ-45 port)
	Serial port	4 x Isolated RS-232/422/485 with 9-pin D-SUB connectors automatic RS-485 data flow control
	USB port	2 x USB 2.0
Environmental	Power input	9~36 VDC (e.g. +24 V@1.25 A) (min.30 W), AT
	Power consumption	20 W
	Operation temperature	0 ~ 60°C
	Humidity	5% ~ 95% RH without condensation
General	Vibration	5~17 Hz, 0.1" double amplitude displacement, 17~640 Hz, 1.5 G acceleration peak to peak
	Shock	10 G acceleration peak to peak. (11ms)
	Dimensions (WxDxH)	275 mm x 150.3 mm x 61.2 mm
General	Construction	Aluminum extrusion, heavy-duty steel chassis
	Mounting	wall mount, DIN-Rail mount
	Weight	1.76 kg
	OS support	Windows® XP Embedded

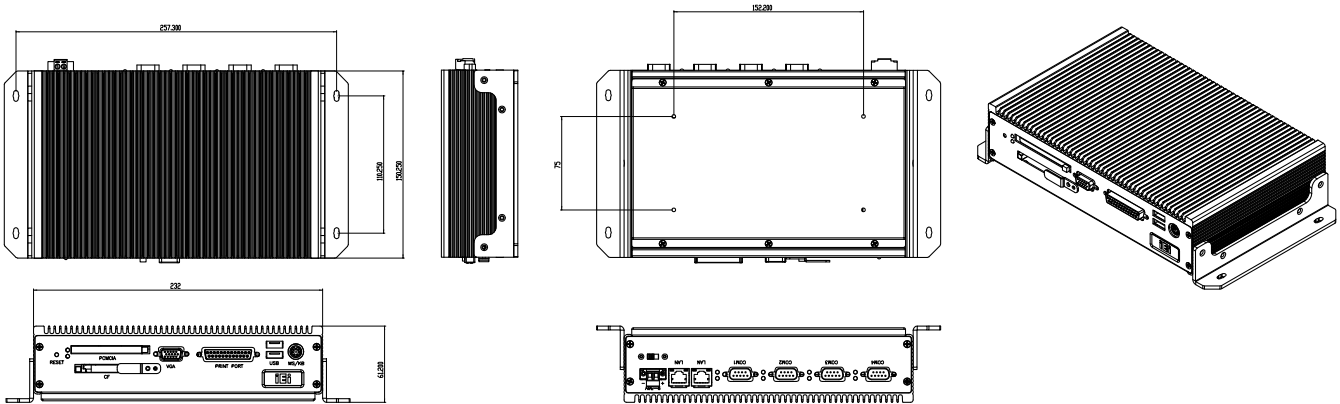
Mounting Support



Packing List

- 1 x VITO-2100-OPC310-R10 (2GB CF)
- 1 x Utility CD, utilities, and technical documents
- 1 x PS/2 Y type cable for KB&MS
- 1 x Null modem cable
- 1 x Screw kit
- 1 x Wall mount kit

Dimensions (Unit:mm)



Ordering Information

PART NO	DESCRIPTION
VITO-2100-OPC310-R10	VITO OPC Gateway supports leading PLC protocols devices for Windows XP Embedded (including local Side OPC simple client view, configuration tool) with 2GB CF memory card with built-in windows XP Embedded OS Image, licensed sticker, and SLD S/W CD

Options

PART NO	DESCRIPTION
63000-UP0451E24P56L-RS	24 VDC 45 W power adapter with bare wire; 90~264VAC input
DK-84BMS	Din mounting kit



45W AC/DC Adapter
Part No: 63000-UP0451E24P56L-RS