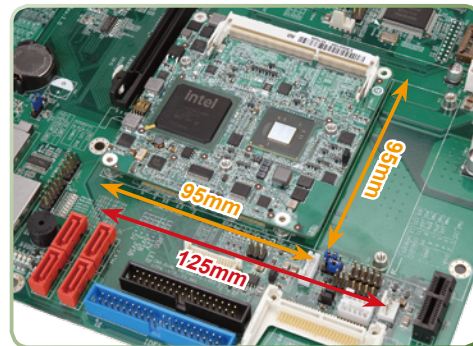
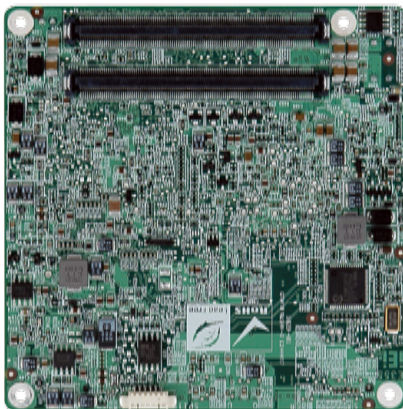


ICE-PV-N4551 D5251

COM Express Basic Type 2 Module, Intel® Atom™ N455/D525 Processor, DDR3, VGA/LVDS, GbE, SATA, USB and Audio, RoHS



The compact CPU module (95x95mm) is backward compatible with IEI carrier board ICE-DB-9S-R10

One Key  Recovery



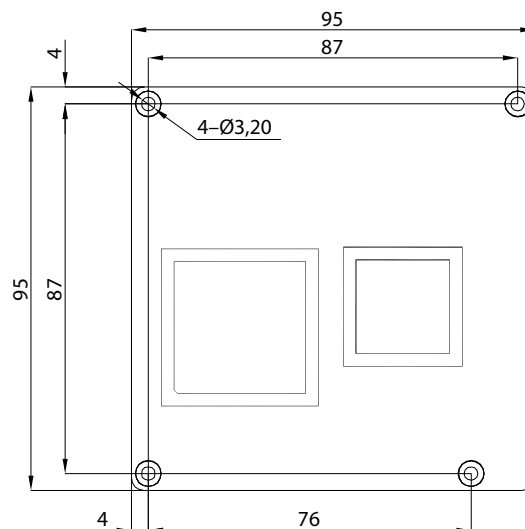
Specifications

- ◆ CPU
 - Intel® Atom™ N455 single-core processor 1.66GHz / 512KB L2 cache
 - Intel® Atom™ D525 dual-core processor 1.8GHz/1MB L2 cache
- ◆ System Chipset
 - Intel® ICH8M
- ◆ BIOS
 - UEFI BIOS
- ◆ Memory
 - One 204-pin 800MHz DDR3 SDRAM SO-DIMM supported (System max. 2GB)
- ◆ GMA
 - GMA 3150
 - Graphic core speed 400MHz for D525
 - Graphic core speed 200MHz for N455
- ◆ Display Interface
 - Analog CRT(VGA) Integrated in Intel® N455/D525 (Signal to base board)
 - 18-bit single-channel LVDS signal (To base board)
- ◆ Ethernet
 - Intel® 82567V Gbe Ethernet PHY
- ◆ I/O Interface
 - 1 x IDE channel (Signal to base board)
 - 3 x SATA II (to base board)
 - 8 x USB 2.0 (to base board)
- ◆ Expansions
 - 4 x PCIe x1 signal to base board
 - 4 x PCI, 32-bit / 33MHz PCI bus to Base base board
- ◆ Watchdog Timer
 - Software programmable support 1~255 sec. system reset by F75111R
- ◆ Power Supply
 - 12V only, AT/ATX mode support
- ◆ Power Consumption
 - 12V@1.25A (Intel® Atom™ D525 1.8GHz with DDR3 1GB)
- ◆ Temperature
 - 20°C ~ 60°C with free air, -20°C ~ 70°C with force air for D525 processor
 - 20°C ~ 70°C with free air, -20°C ~ 75°C with force air for N455 processor
- ◆ Humidity
 - Operation: 5% ~ 95%, non-condensing
- ◆ Dimensions
 - 95mm x 95mm
- ◆ Weight
 - GW: 600g / NW:200g

Features

1. COM Express Type 2 basic module with compact size 95x95mm
2. Intel® Atom™ N455/D525 processor support
3. DDR3 800MHz SO-DIMM socket support up to 2GB
4. Support eight USB 2.0, three SATA II and one IDE
5. IEI One Key Recovery solution allows you to create rapid OS backup and recovery

Dimensions (mm)



Packing List

1 x ICE-PV-N4551/D5251 single board computer	
1 x Heat spreader	
1 x QIG (Quick installation guide)	1 x Utility CD

Ordering Information

Part No.	Description
ICE-PV-D5251-R10	COM Express Basic Type 2 Module, Intel® Atom™ D525 Processor, DDR3, VGA/LVDS, GbE, SATA, USB and audio, RoHS
ICE-PV-N4551-R10	COM Express Basic Type 2 Module, Intel® Atom™ N455 Processor, DDR3, VGA/LVDS, GbE, SATA, USB and audio, RoHS
ICE-DB-9S-R10	Base board for COM Express Type II modules